

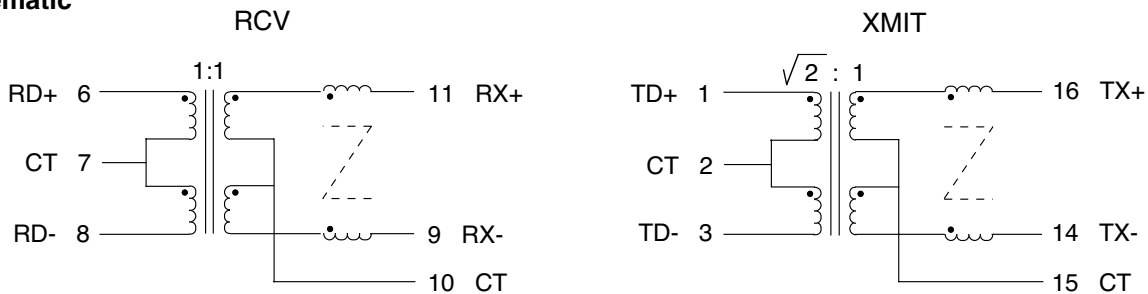
High Speed LAN Interface Module for QSI 6611/6612

- Features**
- Complies with or exceeds IEEE 802.3, 10BT/100BX requirements
 - Fully functional at 70 °C with 8 mA DC Bias per 100Ω
 - Developed under ISO 9000 provisions
 - Construction withstands IR/VP processes.

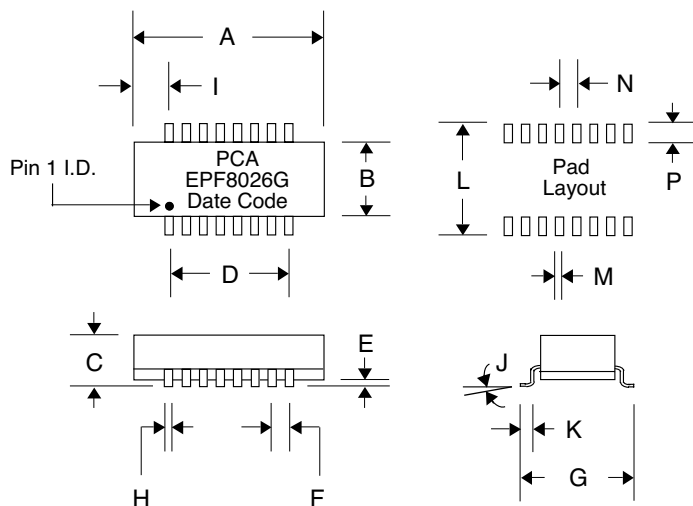
| PCA Part Number(s) | | EPF8026G | | | |
|----------------------------------|---------------|------------------------------------|---------|---------|---------|
| Electrical Specifications @ 25°C | | | | | |
| Parameter | Frequency | Specification | XMIT | RCV | Unit |
| Insertion Loss | 1-100 MHz | Under Matched Condition | -1.0 | -1.0 | dB Max. |
| Isolation | | 1500 (for 1 minute) | | | Vrms |
| Return Loss | 5-10 MHz | (See Note 1) | -20 | -20 | dB Min. |
| Return Loss | 10-100 MHz | (See Note 1) | -10 | -10 | dB Min. |
| Common Mode Rejection | 30-100 MHz | | -30 | -30 | dB Min. |
| Crosstalk | 1-100 MHz | Between Channels | -40 | -40 | dB Min. |
| OCL (Specified DC Bias) | 100 KHz, 0.1V | Across 9-11 and 14-16 (See Note 2) | 350 | 350 | μH Min. |
| Impedance Ratio | | | 200:100 | 100:100 | |

Notes : 1. @ pins 9-11 ; pins 6-8 terminated with 100Ω.
 @ pins 16-14 ; pins 1-3 terminated with 200Ω.
 2. 8 mA DC Bias @ 70 °C

Schematic



Package



Dimensions

| (In Inches) | | | |
|-------------|------|------|------|
| Dim. | Min. | Max. | Nom. |
| A | .970 | .990 | |
| B | .380 | .400 | |
| C | .223 | .243 | |
| D | .700 | Typ. | |
| E | .003 | .020 | |
| F | .100 | Typ. | |
| G | .500 | .520 | |
| H | .015 | .021 | |
| I | .090 | Typ. | |
| J | 0° | 8° | |
| K | .025 | .045 | |
| L | | | .560 |
| M | | | .030 |
| N | | | .100 |
| P | | | .092 |